

Name (Last, First MI)

Student A#

Student Signature (For graduation)

Semester, Transfer or AP	Grade	Course Number	Cr Hrs	Course Title	Prerequisites, Corequisites and/or Prerequisites with Concurrency	Offered: F=Fall S=Spring M=Summer
<b>English - 6 hours</b>						
		EH 101	3	Freshman Composition I	Placement	FSM
		EH 102	3	Freshman Composition II	EH 101	FSM
<b>Mathematics - 18 hours</b>						
		MA 171	4	Calculus A	MA 113 or MA 115 or Level III Placement	FSM
		MA 172	4	Calculus B	MA 171	FSM
		MA 201	4	Calculus C	MA 172	FSM
		MA 238	3	Applied Differential Equations	Prereq w/Con: MA 201	FSM
		MA 244	3	Introduction to Linear Algebra	MA 172	FSM
<b>Chemistry - 4 hours</b>						
		CH 121	3	General Chemistry I	CH 101 or Plcmt, MA 112, Prereq w/Con: MA 113 or 115, Coreq: CH 125	FSM
		CH 125	1	General Chemistry Lab I	Coreq: CH 121	FSM
<b>Physics - 12 hours</b>						
		PH 111	3	General Physics w/Calculus I	MA 171	FSM
		PH 114	1	General Physics Lab I	Prereq w/Con: PH 111	FSM
		PH 112	3	General Physics w/Calculus II	MA 172, PH 111	FSM
		PH 115	1	General Physics Lab II	Prereq w/Con: PH 112	FSM
		PH 113	3	General Physics w/Calculus III	MA 201, PH 112	FSM
		PH 116	1	General Physics Lab III	Prereq w/Con: PH 113	FSM
<b>History, Social &amp; Behavioral Sciences - 9 hours</b>						
		HY	3	History	See History, Social & Behavioral Science (HSBS) List; available in Engineering Advising Office, EB 157.	FSM
			3		Must have six hour sequence in either HSBS or HFA.	FSM
			3			FSM
<b>Humanities &amp; Fine Arts - 9 hours</b>						
		EH	3	Literature	See Humanities & Fine Art (HFA) List; available in Engineering Advising Office, EB 157.	FSM
			3	Fine Arts		FSM
			3		Must have six hour sequence in either HSBS or HFA.	FSM
<b>Engineering Core - 12 hours</b>						
		EE 213	3	Electrical Circuit Analysis I	PH 112, Prereq w/Con: MA 238 & (MA 244 or CHE 244 or MAE 285)	FSM
		ISE 321	3	Engineering Economy	Sophomore Standing	FSM
		EE 310	3	Solid State Fundamentals	PH 112, Prereq w/Con: MA 238	FS
		EE 382	3	Analytical Meth for Continuous Time Sys	EE 213, MA 238	FSM
**	<b>Class has required lab section</b>					
<b>Electrical Engineering Option - 43 hours</b>						
**		EE 100	3	Fund of Computer, Electrical & Optical Eng	Coreq: EE 100L	FSM
**		CPE 112	3	Intro to Computer Programming in Engineering	MA 113, MA 115 or Level III Placement, Coreq: CPE 112L	FSM
**		CPE 212	3	Fundamentals of Software Engineering	CPE 112	FS
		EE 202	3	Intro to Digital Logic Design	CPE 112, EE 100	FSM
		EE 203	1	Digital Logic Design Lab	EE 202	FSM
		EE 214	1	Electronic Measurement Lab	EE 213	FSM
		EE 305	1	Electronic Devices & Design Lab	EE, 213, EE 214, Prereq w/Con: EE 315	FSM
		EE 307	3	Electricity and Magnetism	EE 213	FSM
		EE 313	3	Electrical Circuit Analysis II	EE 213	FSM
		EE 315	3	Introduction to Electronic Analysis and Design	EE 213	FS
**		CPE 323	3	Intro to Embedded Computer Systems	CPE 212, EE 202, Coreq: CPE 323L	FS
		EE 383	3	Analytical Meth for Mult and Discr Time Sys	EE 382	FSM
		EE 384	1	Digital Signal Processing Laboratory	CPE 381 or Prereq w/Con:EE 383	FSM
		EE 420	3	Random Signals and Noise	CPE 381 or EE 382	FS
		EE 425	3	Introduction to Control and Robotic Systems	CPE 381 or EE 382	FSM
		EE 447	3	Electromagnetic Engineering	EE 307	FS
		EE 494	3	EE Design Projects	CPE 323, EE 315, ISE 321, Senior Standing	FS
<b>Electrical Engineering Electives - 12 hours</b>						
			3	T1	Track: _____	
			3	T2	(Must take a 2 course track in one area.)	
			3		300 - level or above ECE course only	
			3		300 - level or above ECE course only	
<b>Technical Elective - 3 hours</b>						
			3		200 - level or above Science or Engineering course	

*All prerequisite classes must be completed with a "C" or higher grade.  
The Catalog is the final authority for all degree requirements.*

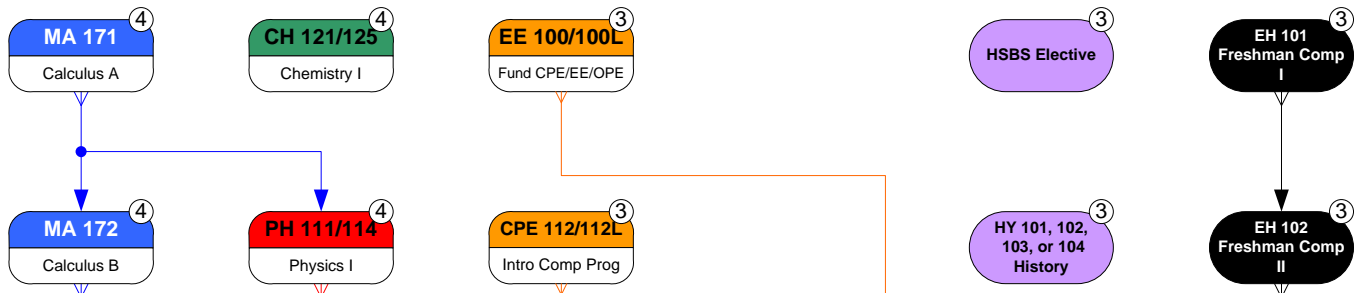
**APPROVALS:**

Advisor	Date	Department Chair	Date	Dean of Engineering/Designee	Date
---------	------	------------------	------	------------------------------	------

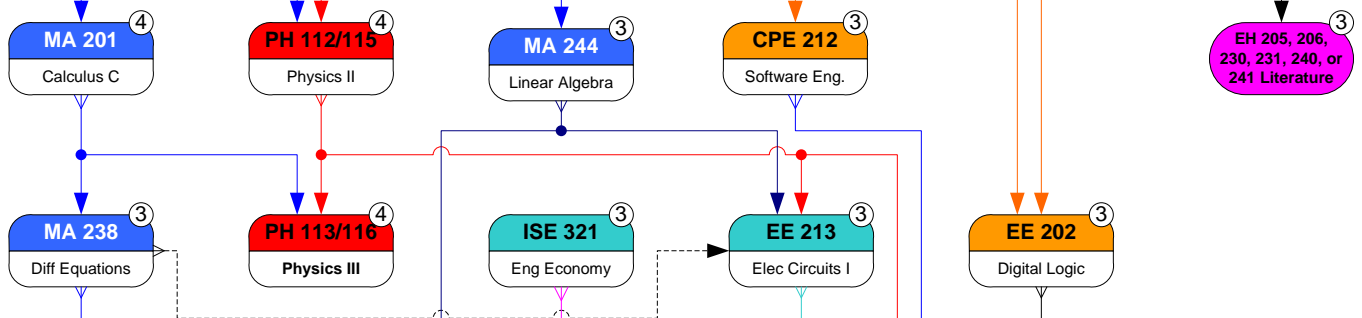
Updated: October 18, 2011

# Electrical Engineering Program 2010/2011 (128 Hours)

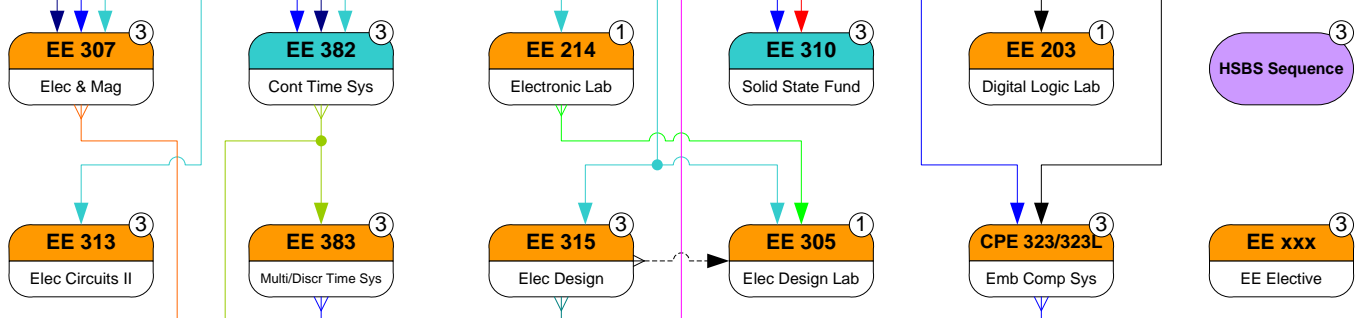
First Year



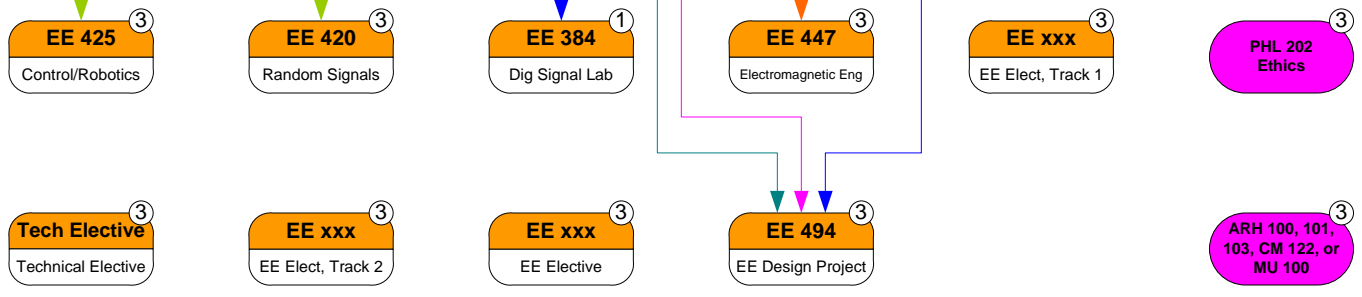
Second Year



Third Year



Fourth Year



**Legend**

- Black circle: Freshman Comp
- Blue circle: Mathematics
- Green circle: Chemistry
- Red circle: Physics
- Purple circle: History, Social & Behavioral Sciences
- Pink circle: Hum. & Fine Arts
- Cyan circle: Engineering Core
- Orange circle: Electrical Eng Option
- Circle with 3: Credit Hours
- Solid arrow: Prerequisite
- Dashed arrow: Prereq w/concurrency



Department	ECE	Prepared by	Barbie Boles	Date	8/31/11
Program	Electrical Engineering Program	Approved by		Date	