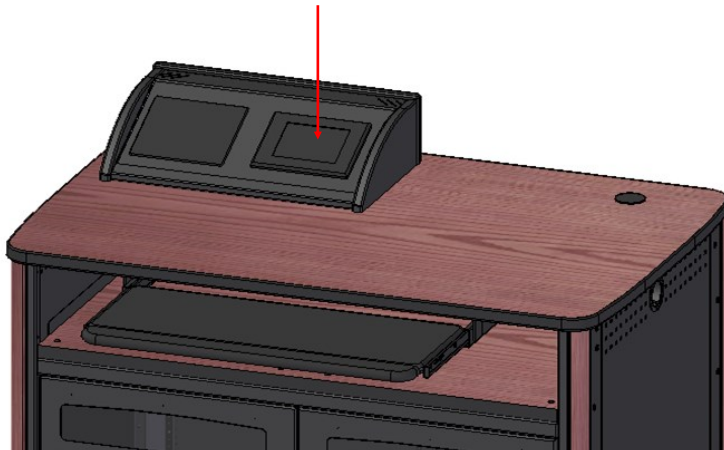


Enhanced Classrooms

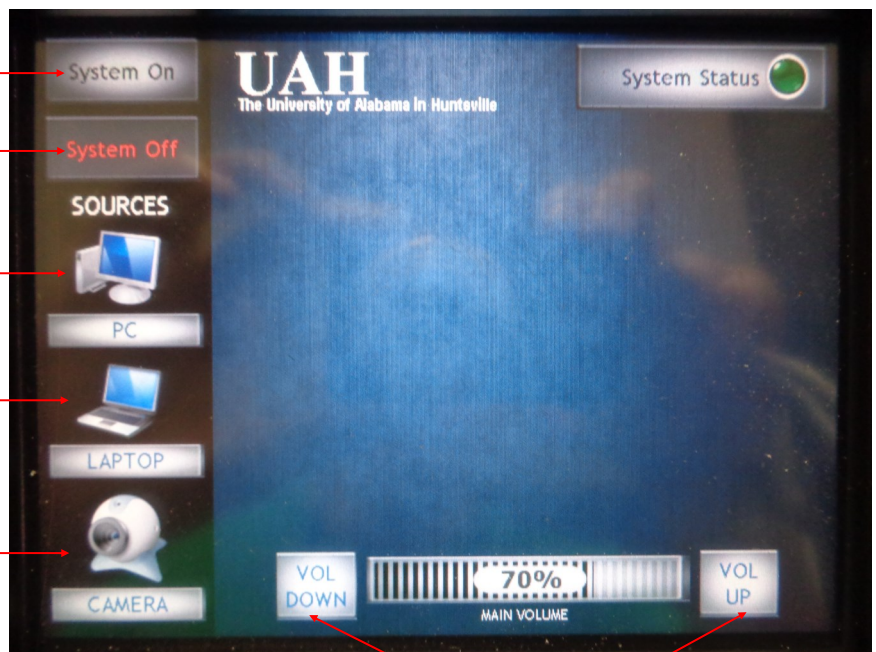
Touch here to wake control screen. Touch again when UAH screen appears.



Laptop Cables
(press down to open):



- Turn on the projector → System On
- Turn off the projector → System Off
- Display PC on projector → PC
- Display laptop on projector → LAPTOP
- Control Camera → CAMERA



Volume

Make sure the computer (under the lectern) and SMART monitor are turned on. The monitor is on when the power button is green.

Please Turn System Off When Finished!